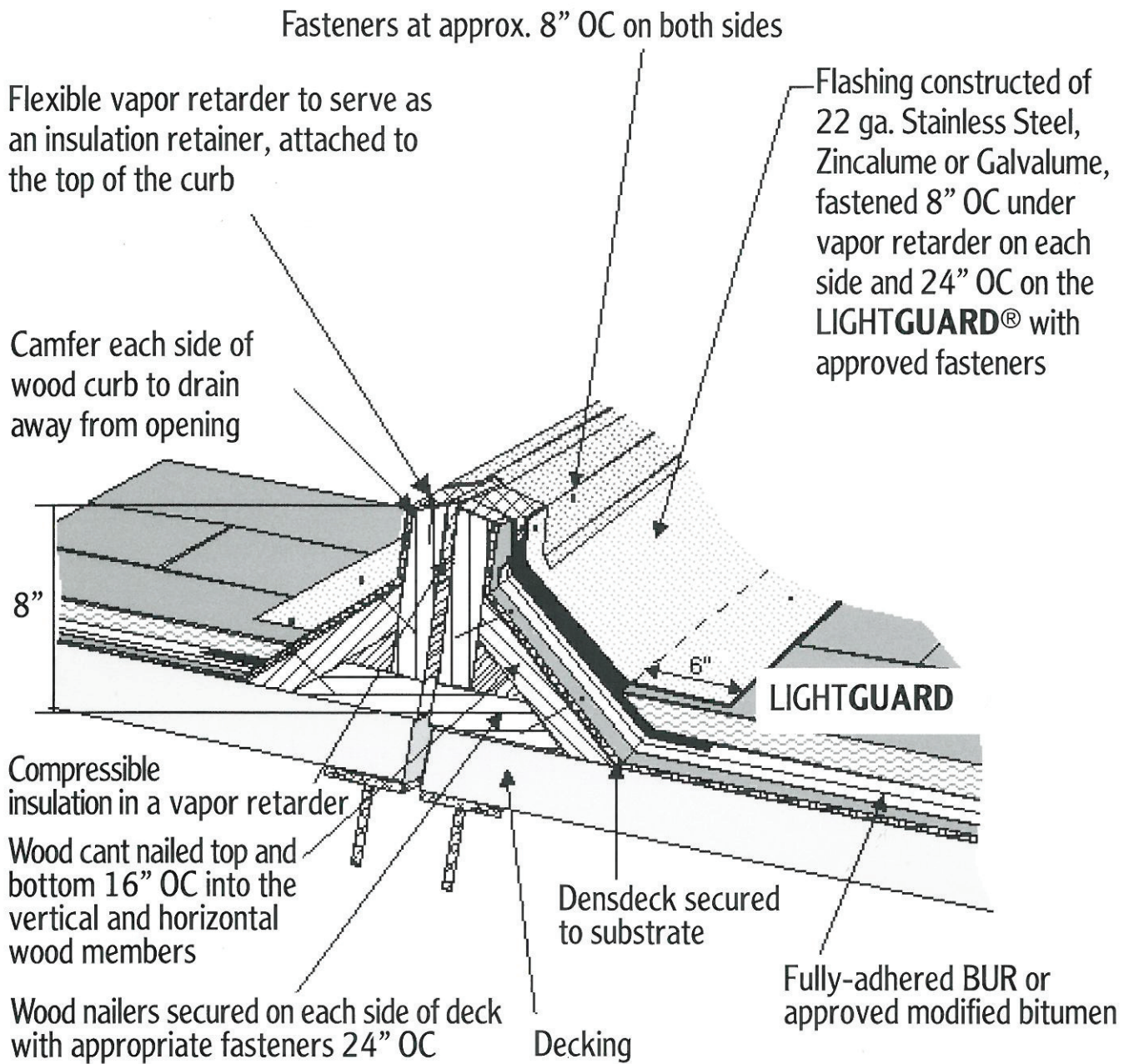


Details

Expansion Joint Detail



®LIGHTGUARD is a registered trademark of T. Clear Corporation